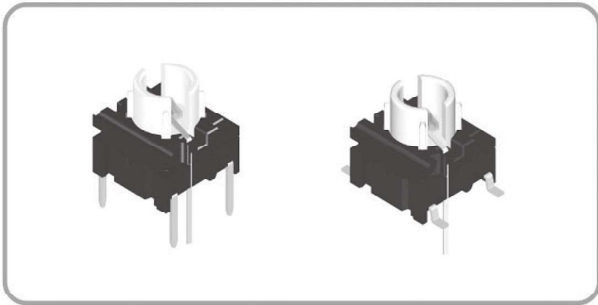
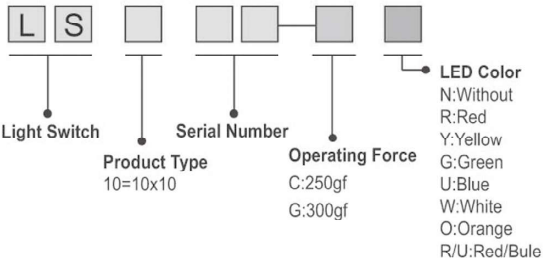


# LAMP SERIES

## 10x10 Led Built-in Type



### HOW TO ORDER



### Specification

Items		Standard
Operating temperature range		-25°C to +85°C
Electrical performance	Rating	0.1A 30V DC
	Insulation resistance	100MΩ min. 250V DC
	Dielectric strength	AC250V(50-60Hz) for 1 min.
	Contact resistance	100mΩ max.
Durability	Lifetime	100,000 Cycles Min
Mechanical performance	Operating force	C:250gf G:300gf
	Travel	0.3 ± 0.1mm

### Diagram

No.	Dimensions	Circuit Diagram																																				
		Pad Layout																																				
1	<p>● LS1001</p> <table border="1"> <thead> <tr> <th>Color</th> <th>VR</th> <th>IF</th> <th>Recommended Operating</th> <th>IF Nom</th> <th>IF Max</th> </tr> </thead> <tbody> <tr> <td>White</td> <td>DC5V</td> <td>20mA</td> <td>20mA</td> <td>3.0V</td> <td>3.6V</td> </tr> <tr> <td>Red</td> <td>DC5V</td> <td>20mA</td> <td>20mA</td> <td>1.7V</td> <td>2.4V</td> </tr> <tr> <td>Yellow</td> <td>DC5V</td> <td>20mA</td> <td>20mA</td> <td>1.9V</td> <td>2.4V</td> </tr> <tr> <td>Blue</td> <td>DC5V</td> <td>20mA</td> <td>20mA</td> <td>3.0V</td> <td>3.6V</td> </tr> <tr> <td>Green</td> <td>DC5V</td> <td>20mA</td> <td>20mA</td> <td>1.9V</td> <td>2.4V</td> </tr> </tbody> </table>	Color	VR	IF	Recommended Operating	IF Nom	IF Max	White	DC5V	20mA	20mA	3.0V	3.6V	Red	DC5V	20mA	20mA	1.7V	2.4V	Yellow	DC5V	20mA	20mA	1.9V	2.4V	Blue	DC5V	20mA	20mA	3.0V	3.6V	Green	DC5V	20mA	20mA	1.9V	2.4V	<p>PCB Layout Recommended</p>
Color	VR	IF	Recommended Operating	IF Nom	IF Max																																	
White	DC5V	20mA	20mA	3.0V	3.6V																																	
Red	DC5V	20mA	20mA	1.7V	2.4V																																	
Yellow	DC5V	20mA	20mA	1.9V	2.4V																																	
Blue	DC5V	20mA	20mA	3.0V	3.6V																																	
Green	DC5V	20mA	20mA	1.9V	2.4V																																	
2	<p>● LS1002</p> <table border="1"> <thead> <tr> <th>Color</th> <th>VR</th> <th>IF</th> <th>Recommended Operating</th> <th>IF Nom</th> <th>IF Max</th> </tr> </thead> <tbody> <tr> <td>White</td> <td>DC5V</td> <td>20mA</td> <td>20mA</td> <td>3.0V</td> <td>3.6V</td> </tr> <tr> <td>Red</td> <td>DC5V</td> <td>20mA</td> <td>20mA</td> <td>1.7V</td> <td>2.4V</td> </tr> <tr> <td>Yellow</td> <td>DC5V</td> <td>20mA</td> <td>20mA</td> <td>1.9V</td> <td>2.4V</td> </tr> <tr> <td>Blue</td> <td>DC5V</td> <td>20mA</td> <td>20mA</td> <td>3.0V</td> <td>3.6V</td> </tr> <tr> <td>Green</td> <td>DC5V</td> <td>20mA</td> <td>20mA</td> <td>1.9V</td> <td>2.4V</td> </tr> </tbody> </table>	Color	VR	IF	Recommended Operating	IF Nom	IF Max	White	DC5V	20mA	20mA	3.0V	3.6V	Red	DC5V	20mA	20mA	1.7V	2.4V	Yellow	DC5V	20mA	20mA	1.9V	2.4V	Blue	DC5V	20mA	20mA	3.0V	3.6V	Green	DC5V	20mA	20mA	1.9V	2.4V	<p>PCB Layout Recommended</p>
Color	VR	IF	Recommended Operating	IF Nom	IF Max																																	
White	DC5V	20mA	20mA	3.0V	3.6V																																	
Red	DC5V	20mA	20mA	1.7V	2.4V																																	
Yellow	DC5V	20mA	20mA	1.9V	2.4V																																	
Blue	DC5V	20mA	20mA	3.0V	3.6V																																	
Green	DC5V	20mA	20mA	1.9V	2.4V																																	