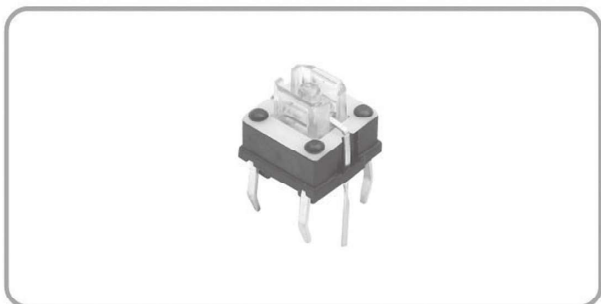
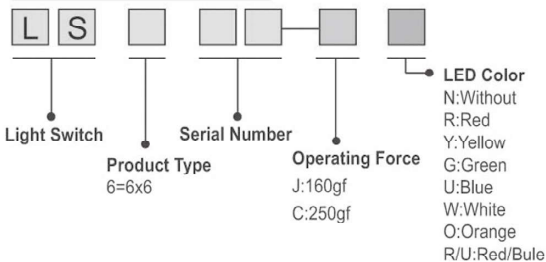


LAMP SERIES

6.0x6.0 Led Built-in Type



HOW TO ORDER



Specification

| Items | | Standard |
|-----------------------------|-----------------------|--------------------|
| Operating temperature range | | -25°C to +85°C |
| Electrical performance | Rating | 100mA, 30V DC |
| | Insulation resistance | 100MΩ min. 100V DC |
| | Dielectric strength | 250V AC for 1 min. |
| | Contact resistance | 100mΩ max. |
| Durability | Lifetime | 100,000 Cycles Min |
| Mechanical performance | Operating force | J:160gf C:250gf |
| | Travel | 0.25 ± 0.1mm |

Diagram

| No. | Dimensions | Circuit Diagram Pad Layout |
|-----|----------------|-------------------------------|
| 1 | <p>● LS611</p> | |