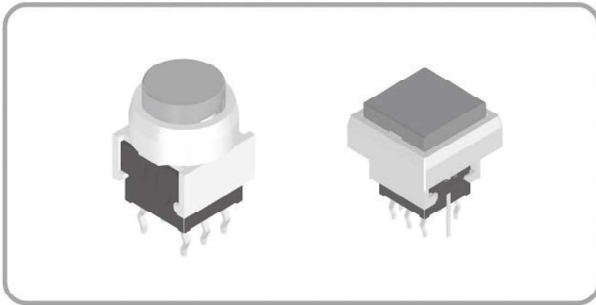
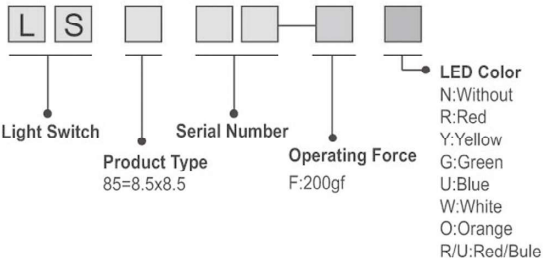


LAMP SERIES

8.5x8.5 Led Built-in Type



HOW TO ORDER



Specification

Items		Standard
Operating temperature range		-25°C to +85°C
Electrical performance	Rating	50mA. 30V DC
	Insulation resistance	100MΩ min. 250V DC
	Dielectric strength	AC250V(50-60Hz) for 1 min.
	Contact resistance	500mΩ max.
Durability	Lifetime	100,000 Cycles Min
Mechanical performance	Operating force	200 ± 50gf
	Travel	0.25 ± 0.1mm

Diagram

