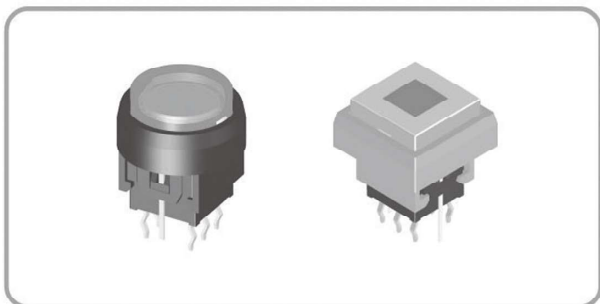
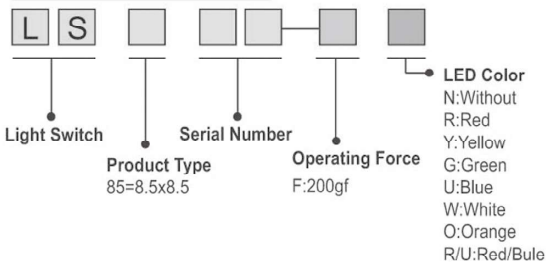


LAMP SERIES

8.5x8.5 Led Built-in Type



HOW TO ORDER



Specification

Items		Standard
Operating temperature range		-25°C to +85°C
Electrical performance	Rating	50mA. 30V DC
	Insulation resistance	100MΩ min. 250V DC
	Dielectric strength	AC250V(50-60Hz) for 1 min.
	Contact resistance	500mΩ max.
Durability	Lifetime	100,000 Cycles Min
Mechanical performance	Operating force	200 ± 50gf
	Travel	0.25 ± 0.1mm

Diagram

No.	Dimensions	Circuit Diagram Pad Layout																																				
1	<p>● LS8507</p> <table border="1"> <thead> <tr> <th>Color</th> <th>VR</th> <th>IF</th> <th>Recommended Operating</th> <th>IF Nom</th> <th>IF Max</th> </tr> </thead> <tbody> <tr> <td>White</td> <td>DC5V</td> <td>20mA</td> <td>20mA</td> <td>3.0V</td> <td>3.6V</td> </tr> <tr> <td>Red</td> <td>DC5V</td> <td>20mA</td> <td>20mA</td> <td>1.7V</td> <td>2.4V</td> </tr> <tr> <td>Yellow</td> <td>DC5V</td> <td>20mA</td> <td>20mA</td> <td>1.9V</td> <td>2.4V</td> </tr> <tr> <td>Blue</td> <td>DC5V</td> <td>20mA</td> <td>20mA</td> <td>3.0V</td> <td>3.6V</td> </tr> <tr> <td>Green</td> <td>DC5V</td> <td>20mA</td> <td>20mA</td> <td>1.9V</td> <td>2.4V</td> </tr> </tbody> </table> <p>Push No Sound No Lock(无声无锁) Push No Lock(无锁) Push To Lock(自锁) Operating Type(操作类型)</p>	Color	VR	IF	Recommended Operating	IF Nom	IF Max	White	DC5V	20mA	20mA	3.0V	3.6V	Red	DC5V	20mA	20mA	1.7V	2.4V	Yellow	DC5V	20mA	20mA	1.9V	2.4V	Blue	DC5V	20mA	20mA	3.0V	3.6V	Green	DC5V	20mA	20mA	1.9V	2.4V	<p>Circuit Diagram</p> <p>PCB Layout Recommended</p>
Color	VR	IF	Recommended Operating	IF Nom	IF Max																																	
White	DC5V	20mA	20mA	3.0V	3.6V																																	
Red	DC5V	20mA	20mA	1.7V	2.4V																																	
Yellow	DC5V	20mA	20mA	1.9V	2.4V																																	
Blue	DC5V	20mA	20mA	3.0V	3.6V																																	
Green	DC5V	20mA	20mA	1.9V	2.4V																																	
2	<p>● LS8508</p> <table border="1"> <thead> <tr> <th>Color</th> <th>VR</th> <th>IF</th> <th>Recommended Operating</th> <th>IF Nom</th> <th>IF Max</th> </tr> </thead> <tbody> <tr> <td>White</td> <td>DC5V</td> <td>20mA</td> <td>20mA</td> <td>3.0V</td> <td>3.6V</td> </tr> <tr> <td>Red</td> <td>DC5V</td> <td>20mA</td> <td>20mA</td> <td>1.7V</td> <td>2.4V</td> </tr> <tr> <td>Yellow</td> <td>DC5V</td> <td>20mA</td> <td>20mA</td> <td>1.9V</td> <td>2.4V</td> </tr> <tr> <td>Blue</td> <td>DC5V</td> <td>20mA</td> <td>20mA</td> <td>3.0V</td> <td>3.6V</td> </tr> <tr> <td>Green</td> <td>DC5V</td> <td>20mA</td> <td>20mA</td> <td>1.9V</td> <td>2.4V</td> </tr> </tbody> </table> <p>Push No Sound No Lock(无声无锁) Push No Lock(无锁) Push To Lock(自锁) Operating Type(操作类型)</p>	Color	VR	IF	Recommended Operating	IF Nom	IF Max	White	DC5V	20mA	20mA	3.0V	3.6V	Red	DC5V	20mA	20mA	1.7V	2.4V	Yellow	DC5V	20mA	20mA	1.9V	2.4V	Blue	DC5V	20mA	20mA	3.0V	3.6V	Green	DC5V	20mA	20mA	1.9V	2.4V	<p>Circuit Diagram</p> <p>PCB Layout Recommended</p>
Color	VR	IF	Recommended Operating	IF Nom	IF Max																																	
White	DC5V	20mA	20mA	3.0V	3.6V																																	
Red	DC5V	20mA	20mA	1.7V	2.4V																																	
Yellow	DC5V	20mA	20mA	1.9V	2.4V																																	
Blue	DC5V	20mA	20mA	3.0V	3.6V																																	
Green	DC5V	20mA	20mA	1.9V	2.4V																																	