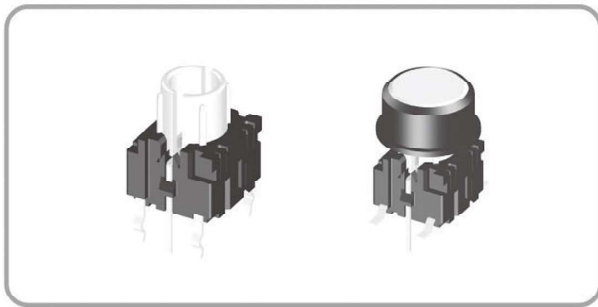
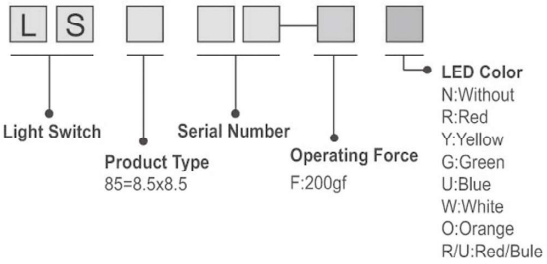


LAMP SERIES

8.5x8.5 Led Built-in Type



HOW TO ORDER



Specification

Items		Standard
Operating temperature range		-25°C to +85°C
Electrical performance	Rating	50mA, 30V DC
	Insulation resistance	100MΩ min. 250V DC
	Dielectric strength	AC250V(50-60Hz) for 1 min.
	Contact resistance	500mΩ max.
Durability	Lifetime	300,000 Cycles Min
Mechanical performance	Operating force	200 ± 50gf
	Travel	0.25 ± 0.1mm

Diagram

No.	Dimensions	Circuit Diagram																																				
		Pad Layout																																				
1	<p>● LS8511</p> <table border="1"> <thead> <tr> <th>Color</th> <th>VR</th> <th>IF</th> <th>Recommended Operating</th> <th>IF Norm</th> <th>IF Max</th> </tr> </thead> <tbody> <tr> <td>White</td> <td>DC5V</td> <td>20mA</td> <td>20mA</td> <td>3.0V</td> <td>3.6V</td> </tr> <tr> <td>Red</td> <td>DC5V</td> <td>20mA</td> <td>20mA</td> <td>1.7V</td> <td>2.4V</td> </tr> <tr> <td>Yellow</td> <td>DC5V</td> <td>20mA</td> <td>20mA</td> <td>1.9V</td> <td>2.4V</td> </tr> <tr> <td>Blue</td> <td>DC5V</td> <td>20mA</td> <td>20mA</td> <td>3.0V</td> <td>3.6V</td> </tr> <tr> <td>Green</td> <td>DC5V</td> <td>20mA</td> <td>20mA</td> <td>1.9V</td> <td>2.4V</td> </tr> </tbody> </table>	Color	VR	IF	Recommended Operating	IF Norm	IF Max	White	DC5V	20mA	20mA	3.0V	3.6V	Red	DC5V	20mA	20mA	1.7V	2.4V	Yellow	DC5V	20mA	20mA	1.9V	2.4V	Blue	DC5V	20mA	20mA	3.0V	3.6V	Green	DC5V	20mA	20mA	1.9V	2.4V	
Color	VR	IF	Recommended Operating	IF Norm	IF Max																																	
White	DC5V	20mA	20mA	3.0V	3.6V																																	
Red	DC5V	20mA	20mA	1.7V	2.4V																																	
Yellow	DC5V	20mA	20mA	1.9V	2.4V																																	
Blue	DC5V	20mA	20mA	3.0V	3.6V																																	
Green	DC5V	20mA	20mA	1.9V	2.4V																																	
2	<p>● LS8512</p>																																					